

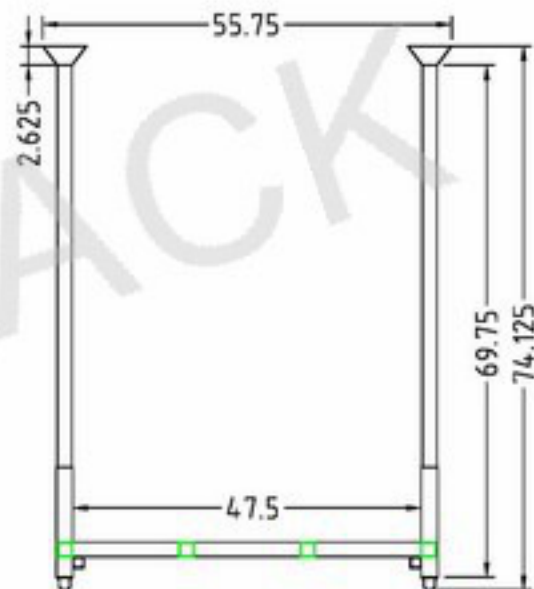
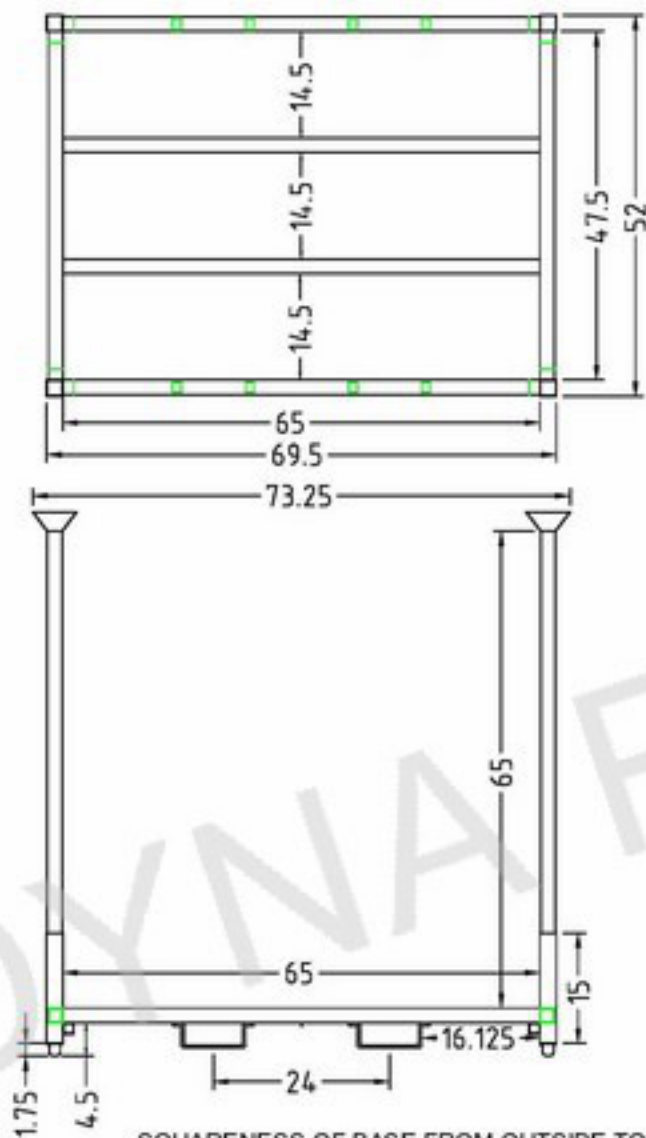
THANK YOU FOR YOUR ORDER, PLEASE REVIEW THIS DRAWING, SIGN AND FAX TO ORDER DEPT. UPON RECEIPT WE WILL PROCESS YOUR ORDER.

SIGNATURE \_\_\_\_\_

DATE APPROVED \_\_\_\_\_

THIS DRAWING IS THE PROPERTY OF TIER-RACK CORP. AND IT IS LOANED UPON THE CONDITION THAT IT IS NOT TO BE REPRODUCED, COPIED, IN WHOLE OR IN PART BY ANY MEANS, OR RELEASED TO OTHERS WITHOUT THE EXPRESSED WRITTEN PERMISSION OF TIER-RACK CORP. THIS DRAWING IS TO BE RETURNED UPON REQUEST.

**Violators will be prosecuted**



SQUARENESS OF BASE FROM OUTSIDE TO OUTSIDE OF SOCKET MUST BE +/-1/16".

Designed by EW	Checked by -	WD # XXXXX-X	Filename	Date 8-8-08	Scale 1
DYNA RACK			CARPET PAD STACK RACK		
			Edition 1	Sheet 1/1	