

THANK YOU FOR YOUR ORDER. PLEASE REVIEW THIS DRAWING, SIGN AND RETURN ASAP. UPON RECEIPT OF THE SIGNED DRAWING, WE WILL PROCESS YOUR ORDER PAPERWORK.

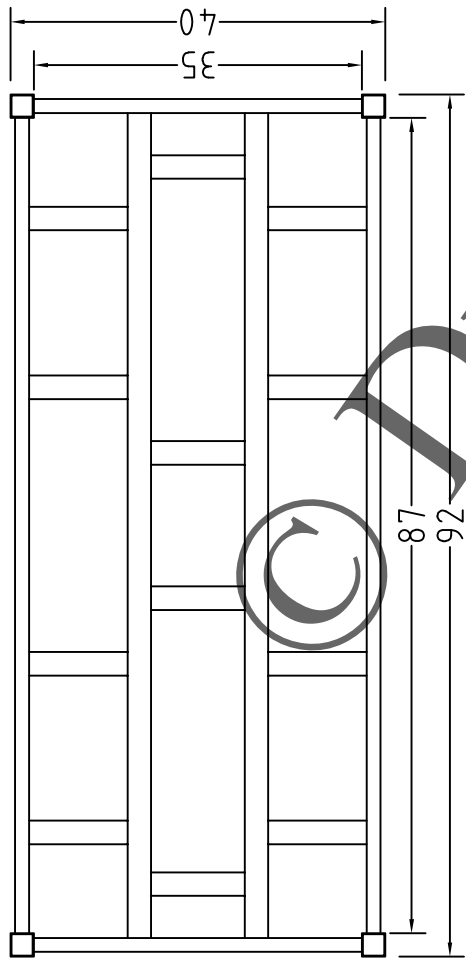
SIGNATURE _____

DATE APPROVED _____

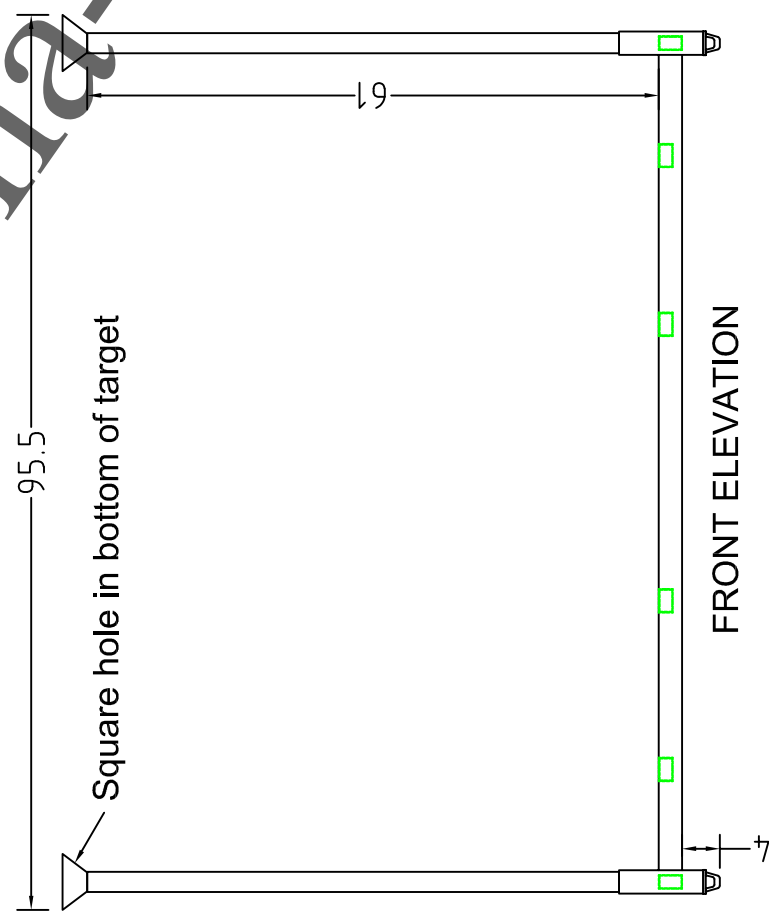
THIS DRAWING IS THE PROPERTY OF DYNA-RACK. AND IT IS LOANED UPON THE CONDITION THAT IT IS NOT TO BE REPRODUCED, COPIED, IN WHOLE OR IN PART BY ANY MEANS, OR RELEASED TO OTHERS WITHOUT THE EXPRESSED WRITTEN PERMISSION OF DYNA-RACK. THIS DRAWING IS TO BE RETURNED UPON REQUEST.

Violators will be prosecuted

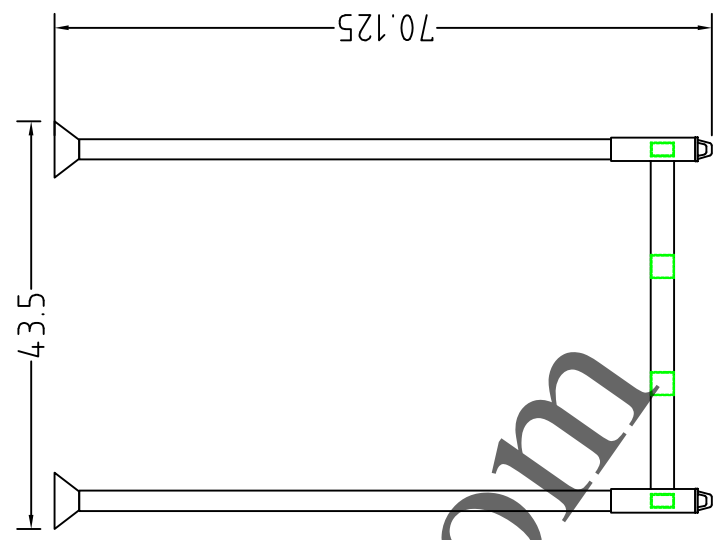
Made in USA



BASE VIEW
3000# CAP Stack 4 High
Powder Coat Orange



FRONT ELEVATION



SIDE ELEVATION

Lasted Saved By ccostley	W0 # XXXXXXXX-X	Filename SC-TIRE40x92x61.dwg	Date & Time 7/19/2024 10:59 AM	Scale YES
-----------------------------	--------------------	---------------------------------	-----------------------------------	--------------



DYNA_TRUCK_TIRE_RACK